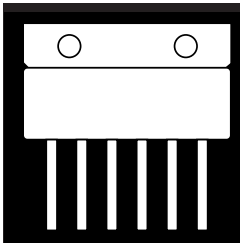


# 100 AMP SCHOTTKY CENTER-TAP IN HERMETIC ISOLATED SIP PACKAGE



## 100 Amp, 45, 60 and 100 Volt Power Schottky Center-Tap Module

### FEATURES

- Two Isolated Schottky Rectifiers In A Hermetic SIP Package
- Very Low Forward Voltage
- Low Recovery Charge
- Rugged Package Design
- High Efficiency For Low Voltage Supplies
- Center-Tap Configuration
- Common Cathode Standard
- Small Size
- Available Screened To MIL-S-19500, TX, TXV And S Levels

### DESCRIPTION

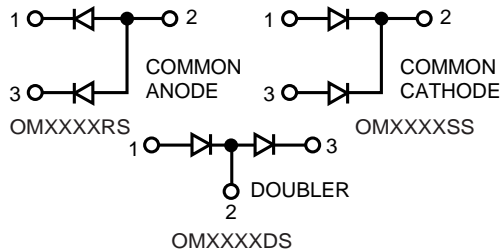
This device has two Schottky diodes arranged in a common cathode configuration and is ideally suited for a full wave output rectifier in low voltage switching power supplies where small size and high reliability are required. Common anode configuration also available.

### ABSOLUTE MAXIMUM RATINGS ( $T_C = 25^\circ\text{C}$ ) Per Diode

Peak Reverse Voltage . . . . .	45, 60, 100 V
Maximum Average DC Output Current, Per Leg. . . . .	50 A
Peak Reverse Transient Current . . . . .	2 A
Non-Repetitive Peak Surge Current (8.3 ms) . . . . .	700 A
Storage Temperature Range . . . . .	- 55°C to + 175° C
Operating Junction Temperature. . . . .	- 55°C to + 150° C
Package Thermal Resistance Junction to Case . . . . .	1.25° C

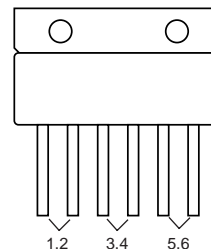
3.2

### SCHEMATIC



Common cathode is standard. Contact the factory for performance characteristics for common anode and doubler. Z-Tab package also available.

### PIN CONNECTION



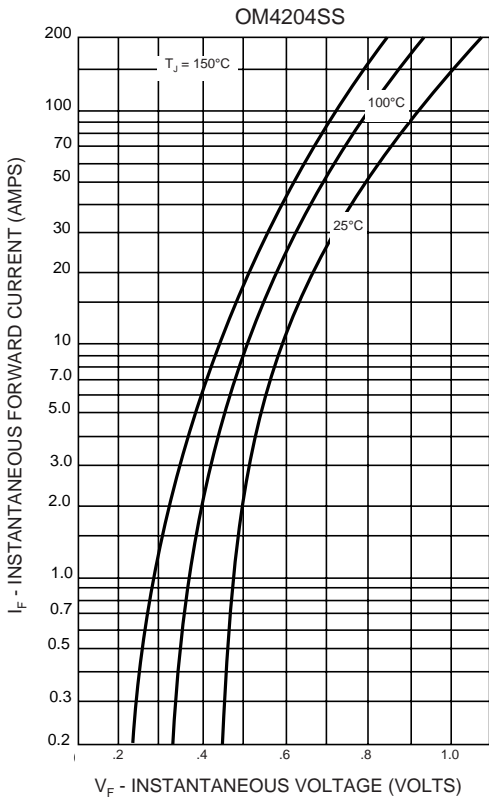
### ELECTRICAL CHARACTERISTICS (Per Diode)

Part No.	PIV	Maximum Forward Voltage @ $I_F = 50A$ (1) (2)		Maximum Reverse Current	
		$T_C = 25^\circ C$	$T_C = 125^\circ C$	$T_C = 25^\circ C$	$T_C = 125^\circ C$
OM4204XX	45	.750V	.700V	1.0mA	150mA
OM4228XX	60	.87V	.800V	7.0mA	150mA
OM4229XX	100	.97V	.900V	7.0mA	150mA

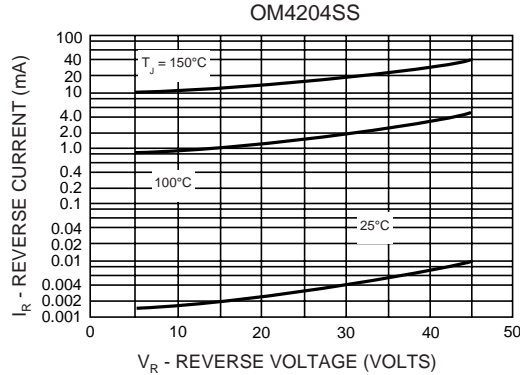
(1) **Pulse Test:** Pulse Width 300 $\mu s$ . Duty Cycle 2.0%.

(2) **Pin Limitation:** 70 Amp per pair.

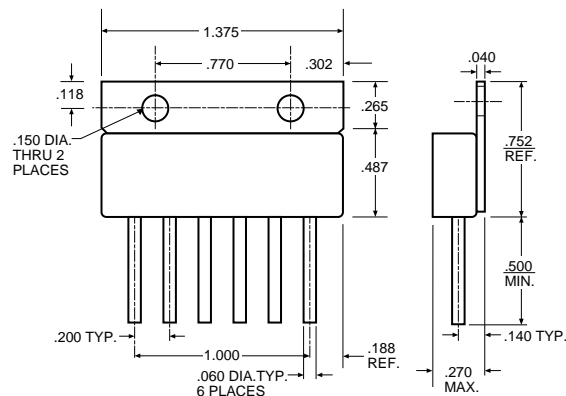
### TYPICAL FORWARD VOLTAGE



### TYPICAL REVERSE CURRENT



### MECHANICAL OUTLINE



3.2